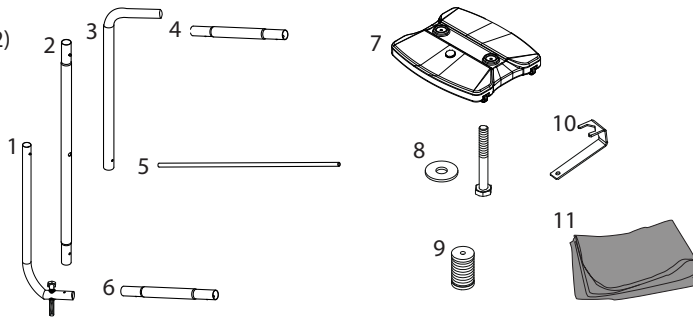


Eurofit Flex With Ballast

Product Parts

1. Bottom Corner pole With Bolts (x2)
2. Side pole (x2)
3. Top Corner Pole (x2)
4. Top Center Pole (x1)
5. Center Support Bar (for 90" only)
6. Bottom Center Pole (x1)
7. Ballast Base
8. Bolts & Washers (x2 each)
9. Spring (x2)
10. Bolt Tightener
11. Graphic



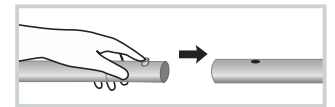
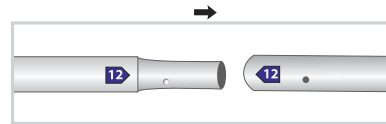
Display Set-up

Step 1

Begin by removing all parts from the box and place on a clean, flat surface. Ensure you have all the components listed above.

Step 2

Assemble all the poles by connecting the corresponding numbers together while pressing the snap button as shown.



Step 3

Continue to connect the frame as illustrated in the image below.

Note: Center Support Bar is for 90" Only.

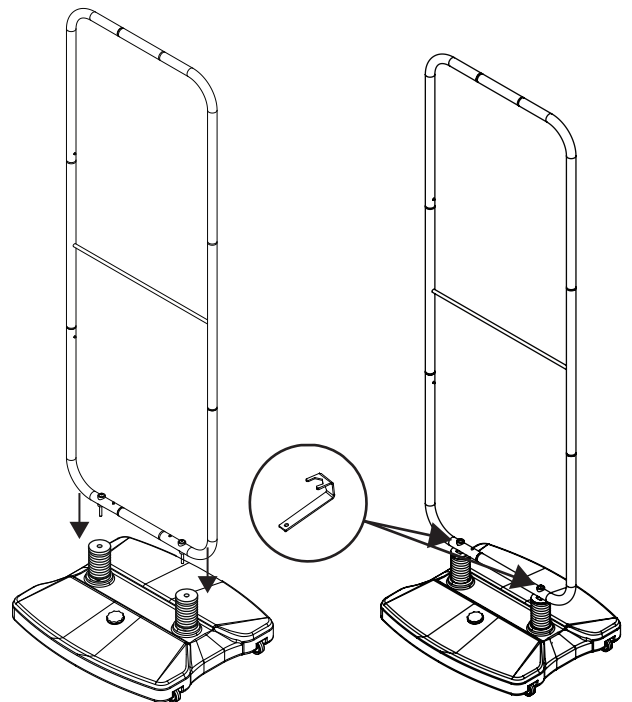
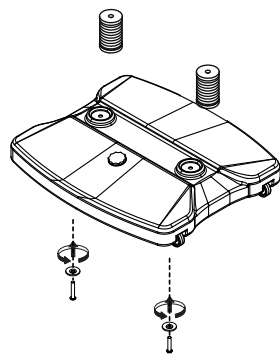
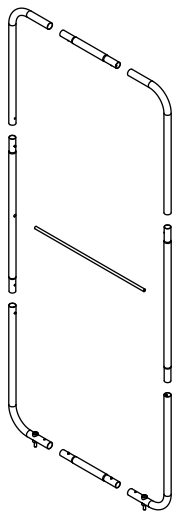
Step 4

Place Springs (9) in slots on ballast (7). From the bottom of the Ballast (7), Place washers and then bolts (8) through openings and screw into bottom of the Springs using the Bolt tightener(10) to tighten.

Do Not Overtighten Bolts.

Step 5

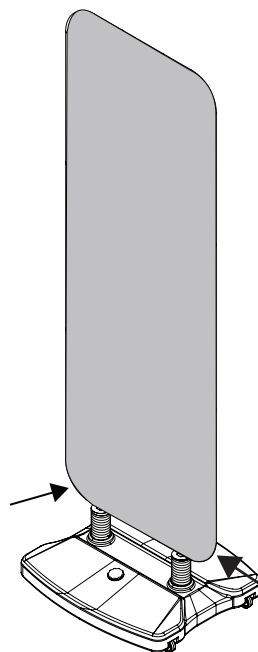
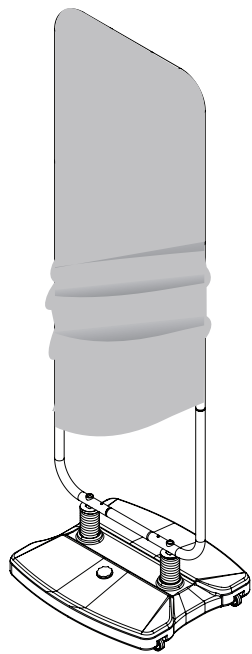
Align Bolts on the frame with the holes in the Springs (9) and use Bolt Tightener (10) to tighten the bolts on the frame. Do Not Over Tighten Bolts.



Eurofit Flex With Ballast

Step 6

To apply graphic (11), pull down over frame and use side zippers on the bottom corners to close.



Corner zippers stop at the springs, area between springs remains open.

Storage & Care

Place all product parts into box and store in a cool dry location. Recommended for indoor use only.

Machine wash on gentle cycle using mild detergent. Tumble Dry No Heat. Do NOT dry clean, Do NOT Iron.